

WHAT ELSE WE CAN DO FOR YOU



Tensile Covering, Light Weight Structure, Membrane Covering.



Awning, Canopy, Sun Screen, Gazebo (Motorized & manual)



Polycarbonate Dome, sheet Covering, Car Parking, Atrium Etc.



Roller Blind, Vertical Bland



D'cent Roof Solutions Pvt. Ltd.

D-1/88, Madangir, New Delhi-110062

Ph: +91-11-2605 9892, 098180 82398, 098998 91516

E-mail: info@dcentroof.com

Website: www.dcentroof.com

MANUFACTURES OF TENSILE STRUCTURES

COMPANY PROFILE

We are manufacturer and supplier of tensile membrane Structure, Car parking Tensile Structure, Auditorium Tensile Structure, Walkway Covering Structure, Gazebo Tensile Structure, Tensile Umbrella and stadiums, Structures and many more varieties of Tensile Structures.

Experience The Best with D'cent Roof Solutions (P) Ltd. - One stop solution for Interior & Exteriors as D'cent Roof Solutions (P) Ltd..is a company specialized in the design and construction of lightweight stressed tensile structure, Tensile Membrane structure and space frame structure, Serving all over Indian markets, as a specialist in designing and building tensile structure, tensile membrane structure, D'cent Roof Solutions (P) Ltd. is involved in every stage with the client to help in the selection of combination of architectural design and building requirement.

With more than 9 years of experience in designing and building all types of tensile structure, our team is equipped to offer a full range of services from contract design, detail design, load analysis, contract document preparation to project Management, Contract supervision and control, thereby ensuring that our clients receive the best professional service, we are quick to adopt global influences and translate the same into our products and projects. Experience the innovation

We have an in-house M & A Steel fabrication and membrane heat-sealing facility. We also have an in-house spray painting facility for Membrane Steel framework, Rather than acting as booking agents for companies abroad we work with consultants to design and develop tensile structures and membrane structures in India. Having that structure developed in India Saves a lot of foreign exchange for the country. it also saves a lot of cost and time.

Our product range

1) Tensile Membrane Structures , Light Weight Structure, Tensile Car Parking



2) Tensile Umbrella , Gazebo & Conical Tensile



3) Swimming Pool Shades & Entrance tensile



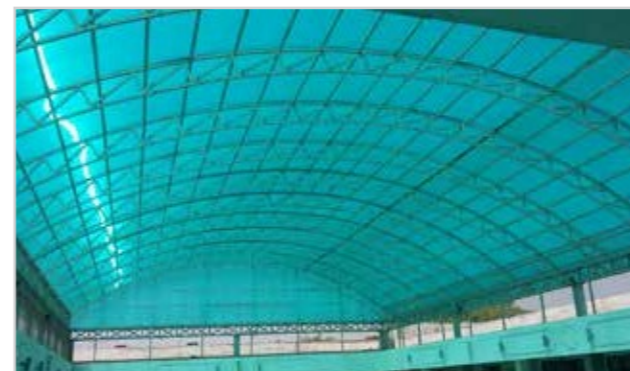
4) Terrace and window awning



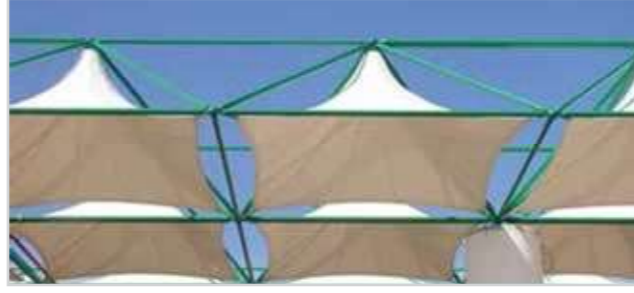
5) Garden Umbrella & Swings



6) Polycarbonate Structures & PVC Membrane Fiber Glass Dome



The concept of fabric architecture is new to India. We at D'cent Roof Solutions Private Limited are trying to introduce various designs of tensile structures



TENSILE CAR PARKING



SWIMMING POOL SHADES, POOL COVERS



GAZEBO & CONICAL TENSILE



ENTRANCE TENSILE, WALKWAY COVERING

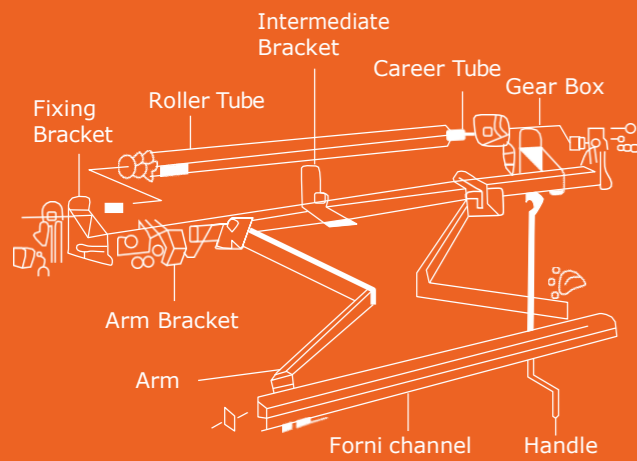


TERRACE AWNING

0 Pre fabricated ready to install folding arm awning operated by gearbox with a removable handle.
 0 Slop is adjustable between 10 to 45d

OPTIONS :

0 manual or Motorised.
 0 Hood: To Cover the gap between the roller tube and wall to avoid water seepage.

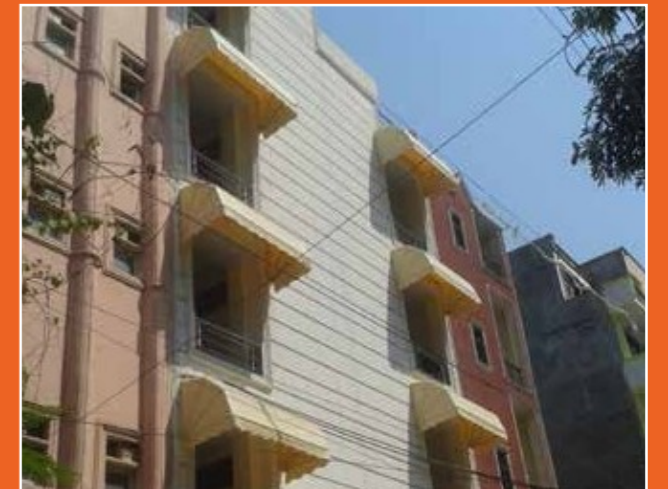
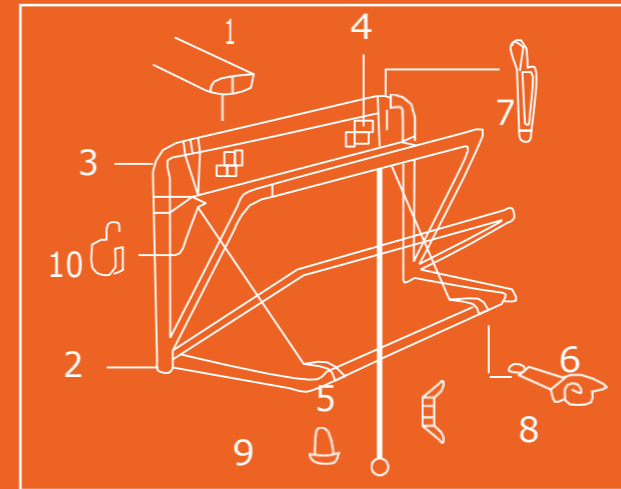


WINDOW AWNING

Pre fabricated ready to install fixed or folding awning operated by pulley & cord arrangement

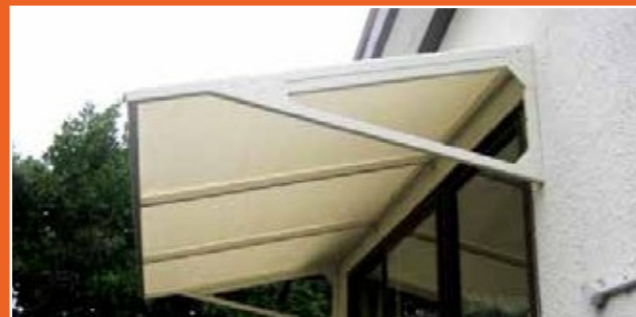
OPTION:

0 Manual or Motorized.



FIXED AWNING

Any Shape & size feasible | Small sizes are prefabricated | Big sizes are fabricated at site |
 m. steel tubular framework spray painted



VERTICAL AWNING

Prefabricated fabric can be moved vertically up or down The dropbar moves on steel wires and is operated by a gear box with removable handle

OPTIONS:

0 Manual or motorised.

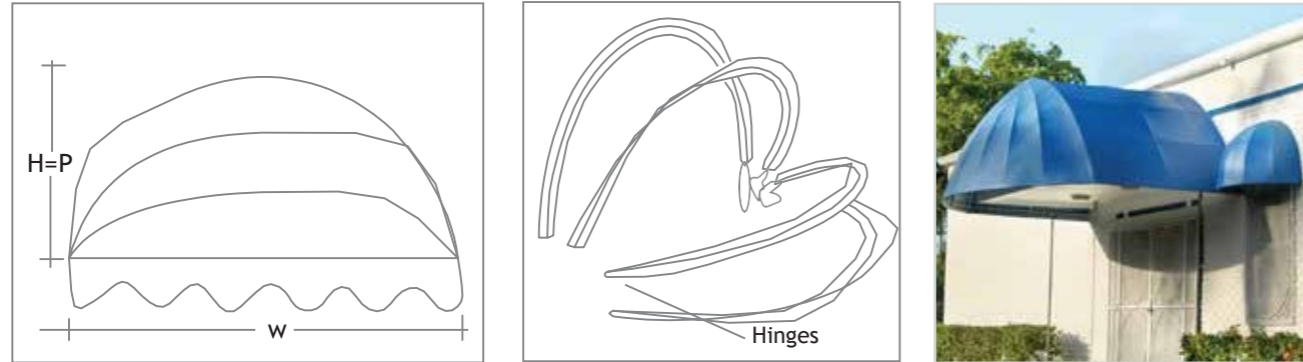


BULL NOSE

- 1) Pre fabricated ready to install fixed or folding awning operated by pulley & cord arrangement.
- 2) Shape is one quarter of a sphere.
- 3) the width of the awning is twice the size of Projection. height & projection are same.

OPTIONS:

0 Folding or Fixed



DROP ARM AWNING

0 Pre fabricated ready to install folding arm awning operated by gearbox with a removable handle.

OPTIONS :

0 manual or Motorised.

0 Hood: To Cover the gap between the roller tube and wall to avoid water seepage.



D'CENT ROOF PRIVATE LIMITED

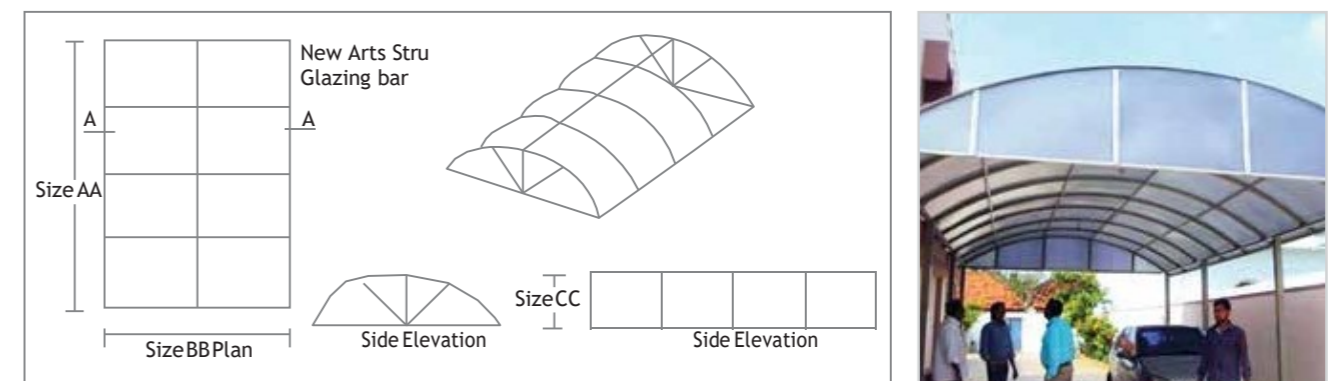
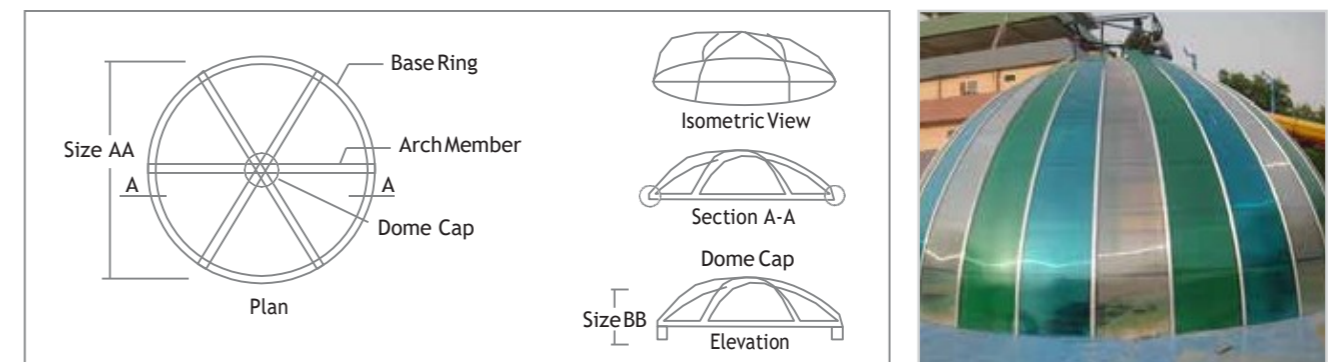
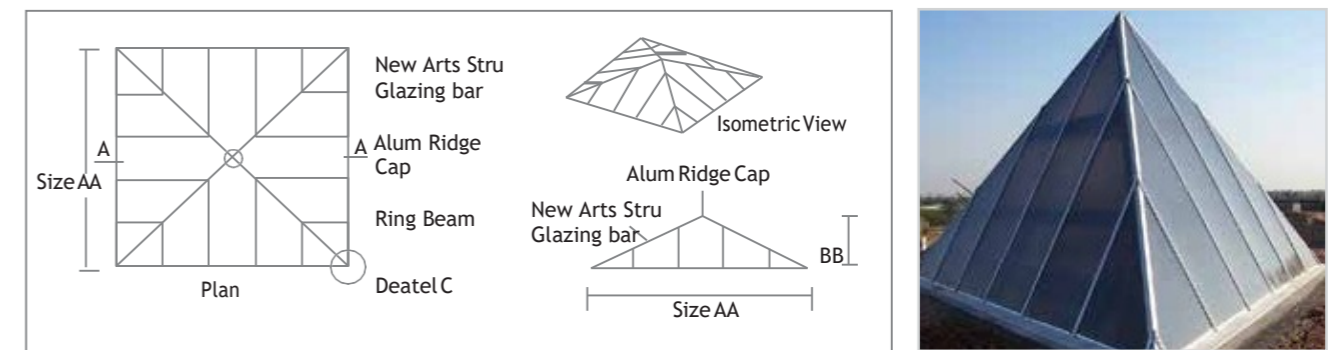
Offers various roofing structural options. As an integrated company is one stop solution of designing and Fabrication of structures in PVC Membrane & Polycarbonate Sheet

APPLICATIONS:

Dome/ Pyramid | Atrium | Walkway | Industrial Roofing | Skylight | Green House | Roof Light | Garage/ Parking Area | Canopy

FEATURES/TECHNICAL SPECIFICATION OF GE POLYCARBONATE SHEET

Virtually unbreakable 250 times stronger than Glass > 200 NM (Falling dart test)
 Weather resistant Temp. Range - 400 C to + 1000 C. No effect of Rains.
 High Thermal insulation value (U value) 2.4 W/M0 K (16 mm multi wall).
 UV protecting-Does not discolor.
 Light transmission -30% to 90%
 Sound insulation-Sound reduction 18b (8mm multi wall).
 Fire resistant-Confirms - to U.K Building reduction. Class I rating for fire resistance.
 Light weight- SP Gravity 1.2.β



ROLLER BLINDS & VERTICAL BLINDS

The concept of Roller Blinds is new to India. We at D'cent Roof Solutions Private Limited are trying to introduce various Co lout of Blinds.

D'cent Roof Solutions Private Limited Blinds besides their utility also create a visual impact with dramatic architectural forms.



CANOPY / DEMO TENT ADVERTISING UMBRELLA



SHORT LIST OUR CLINTS

We value our clients greatly are the sense to sense of our existence. Meeting their requirements is the goal of our actions. And their smiles are the best reward for our e'orts.



Haldiram's



Central Reserve Police



Solitairian City



Rollmaal



guru nanak auto enterprises Ltd



Air Force Station Barmer



Hindustan Petroleum



APEDA



Godrej, Gurgaon



SEL Group



Bharat Petroleum



Defence Research & Development Organization, New Delhi



Shri Ram Chandra Mission



Purvanchal Royal Park



Delhi public school



GD Goenka Public School, Karkardooma



Al-Saqib Exports, Meerut



Ansal API



Jaypee Greens



Paras Buildtech, Gurgaon



Bharat Petroleum



Defence Research & Development Organization, New Delhi



Royal Oak International School Gurgaon



Hotel Puran Palace Ambala



Shri Venkateswar International School

And many more